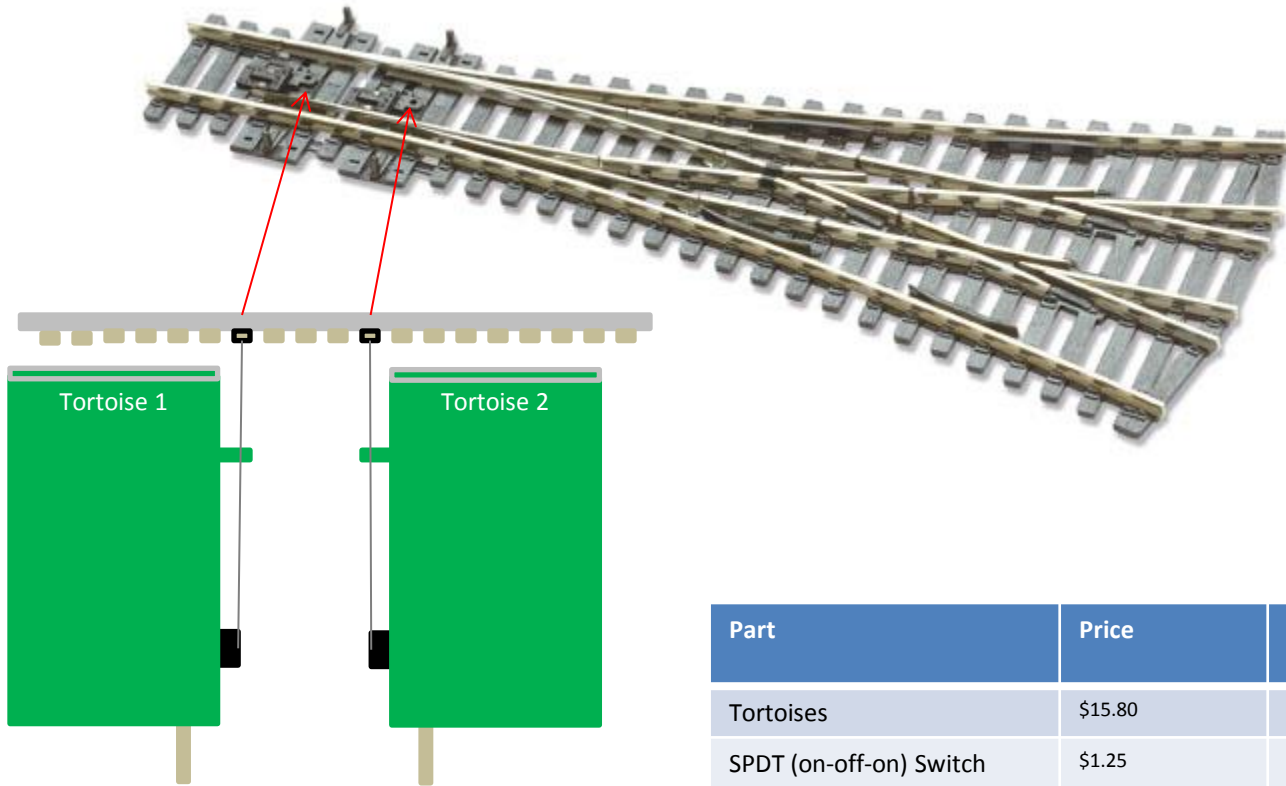


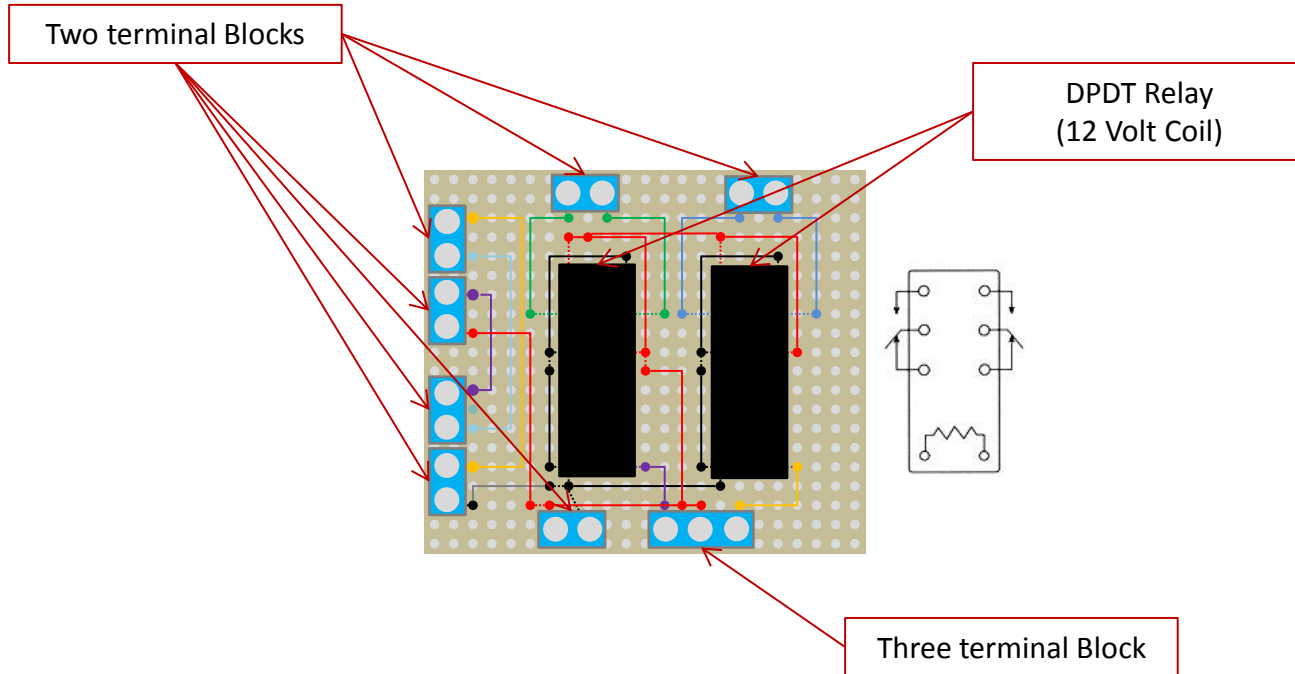
# Peco Three Way Switch with Tortoises



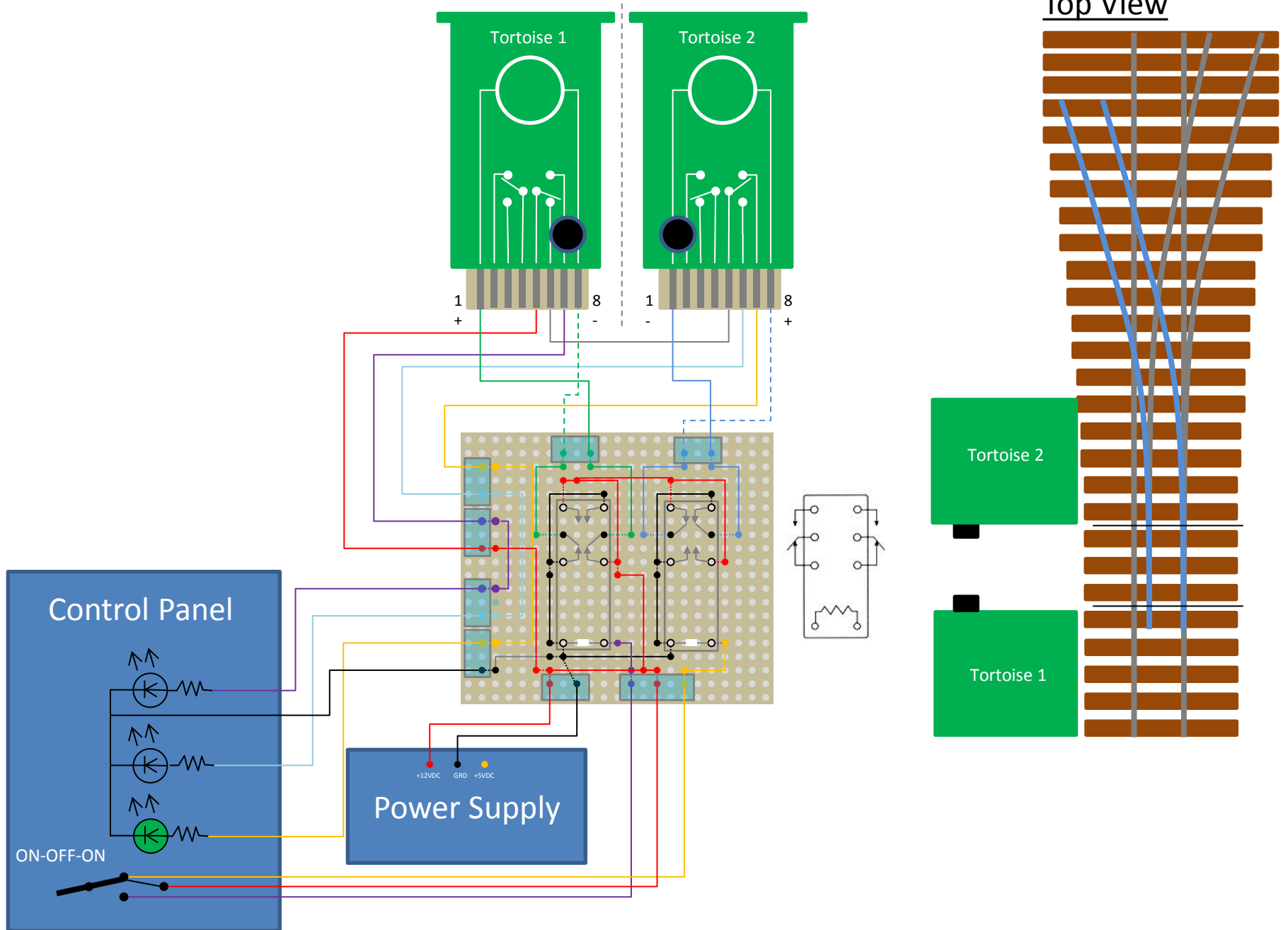
Part	Price	Quantity	Total
Tortoises	\$15.80	2	\$31.60
SPDT (on-off-on) Switch	\$1.25	1	\$1.25
LED's	\$0.10	3	\$0.30
1Kohm Resistor	\$0.05	3	\$0.15
DPDT Relay	\$2.85	2	\$5.70
Protoboard	\$1.95	1	\$1.95
Two Prong Screw Terminal	\$0.40	7	\$2.80
Three Prong Screw Terminal	\$0.50	1	\$0.50
Total With Tortoises			\$44.25
Total Without Tortoise			\$12.65

# Peco Three Way Switch with Tortoises

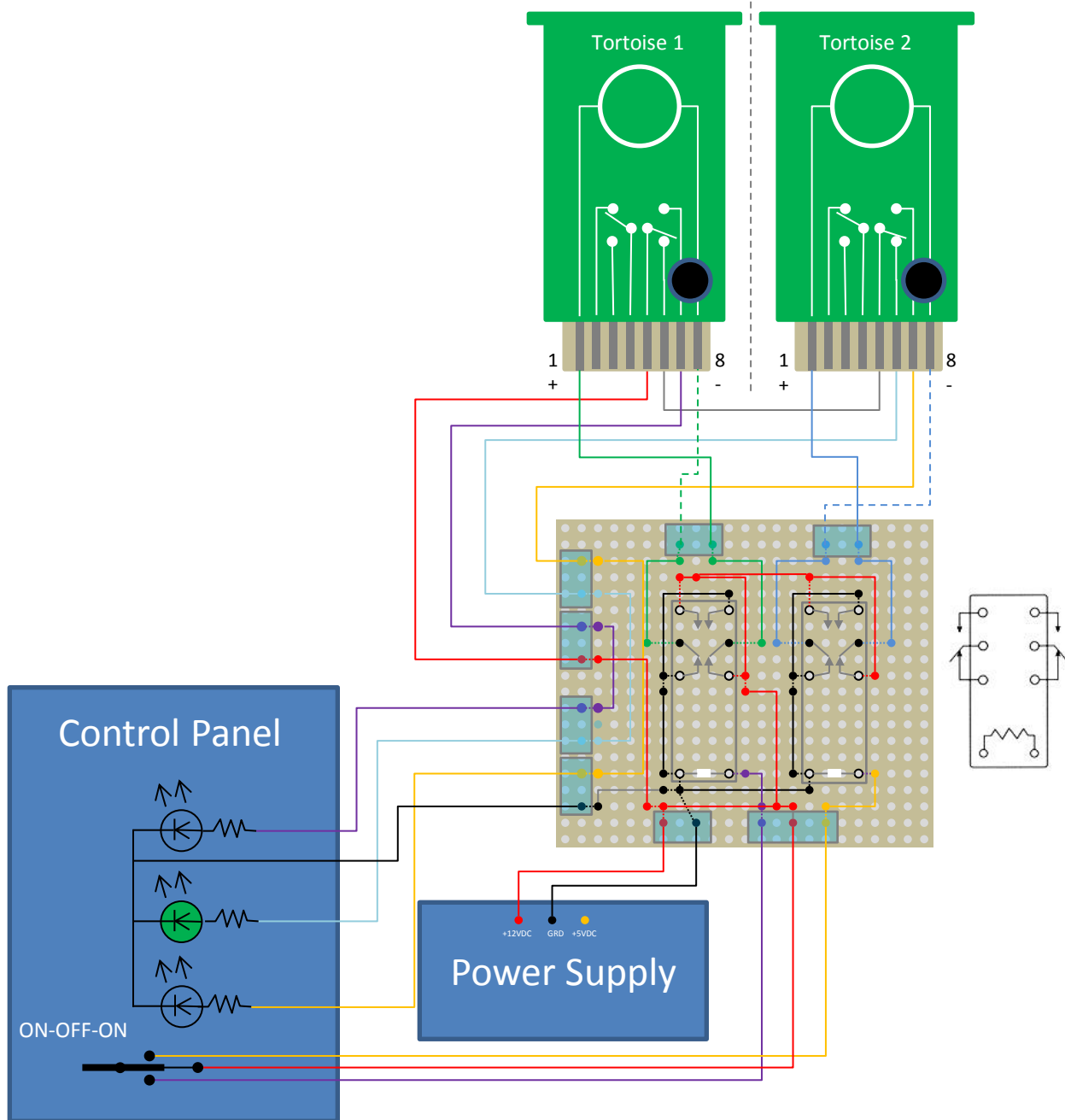
## Board Layout Diagram



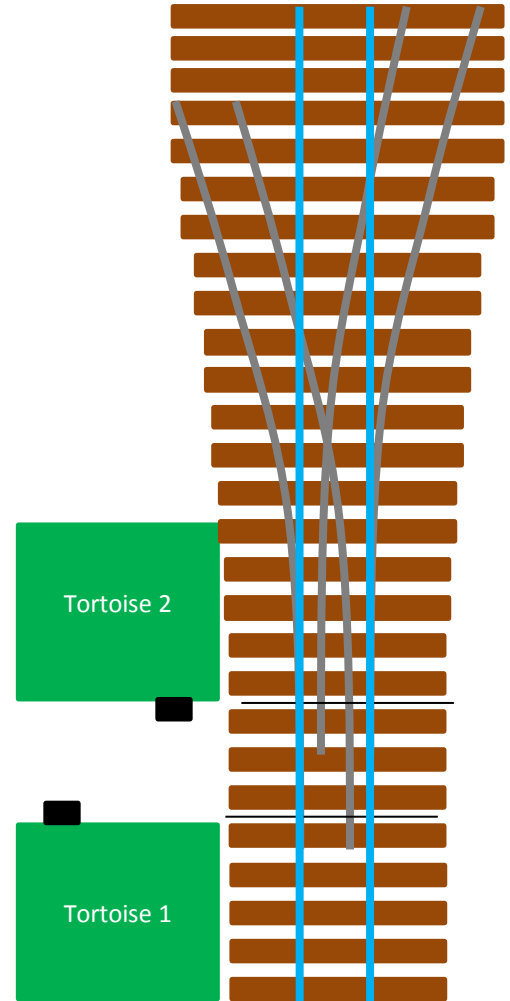
# Peco Three Way Switch with Tortoises (Left Setting)



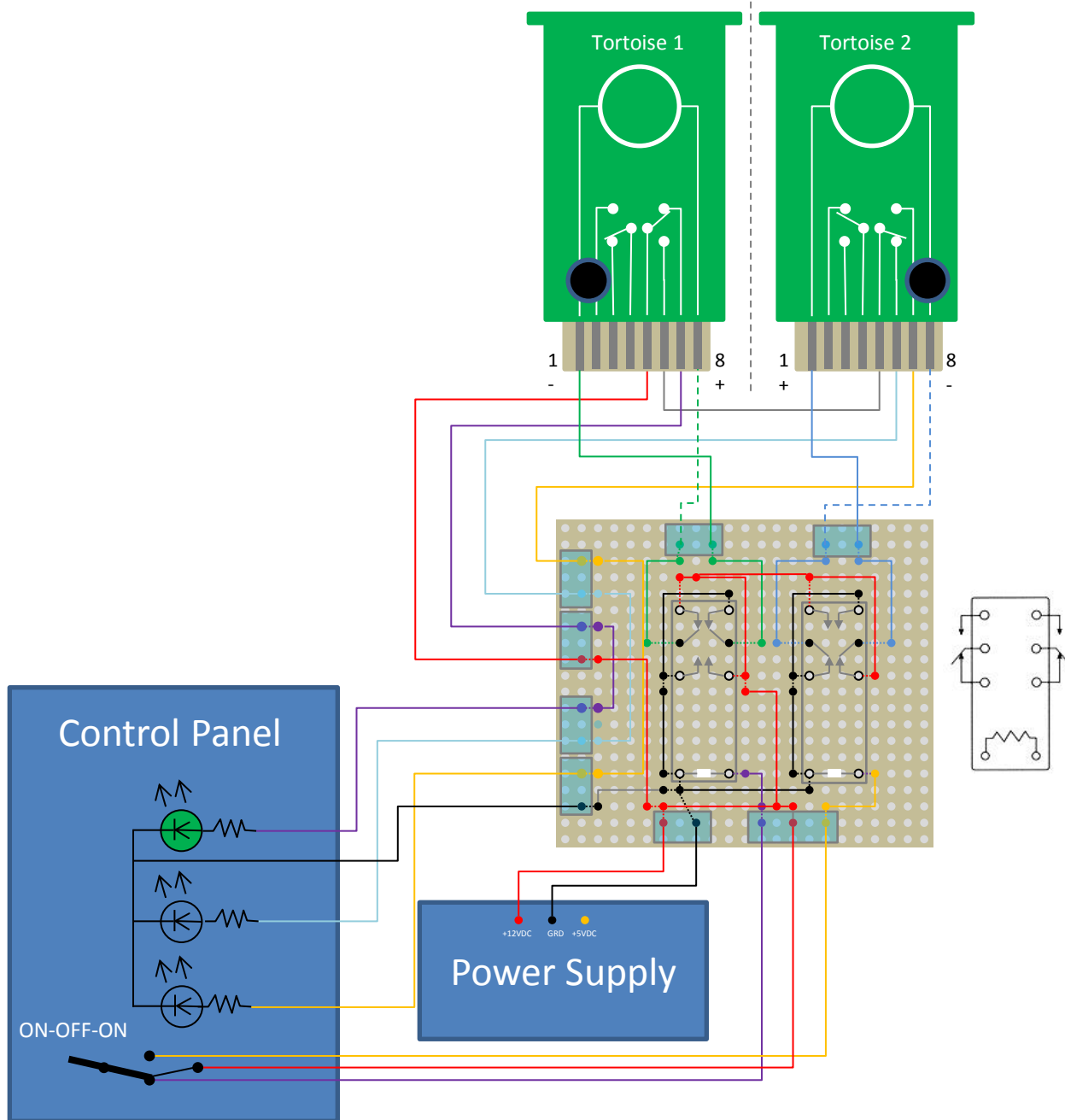
# Peco Three Way Switch with Tortoises (Center Setting)



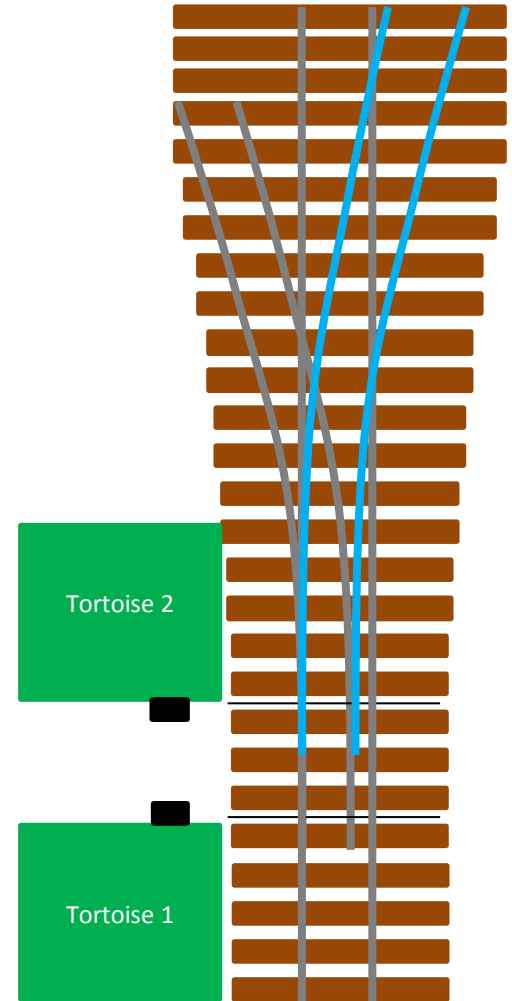
## Top View



# Peco Three Way Switch with Tortoises (Right Setting)

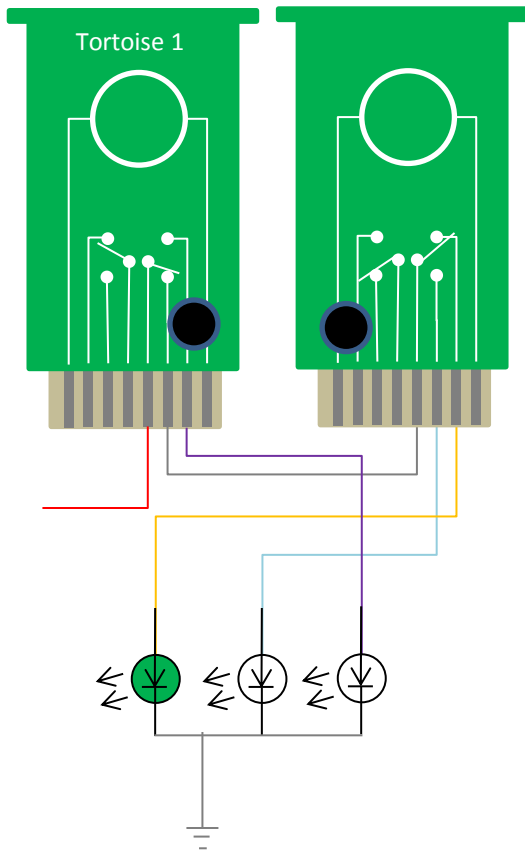


## Top View



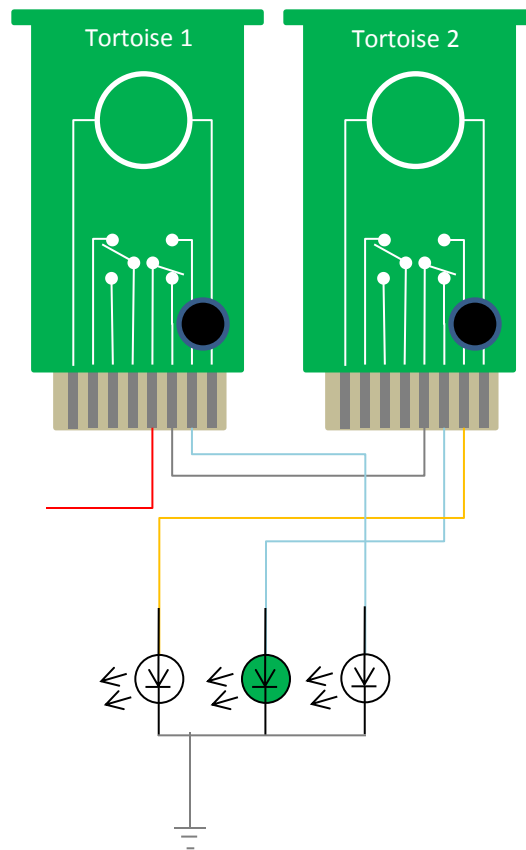
# LED Indicator and Tortoise Position Diagram

## Left Setting



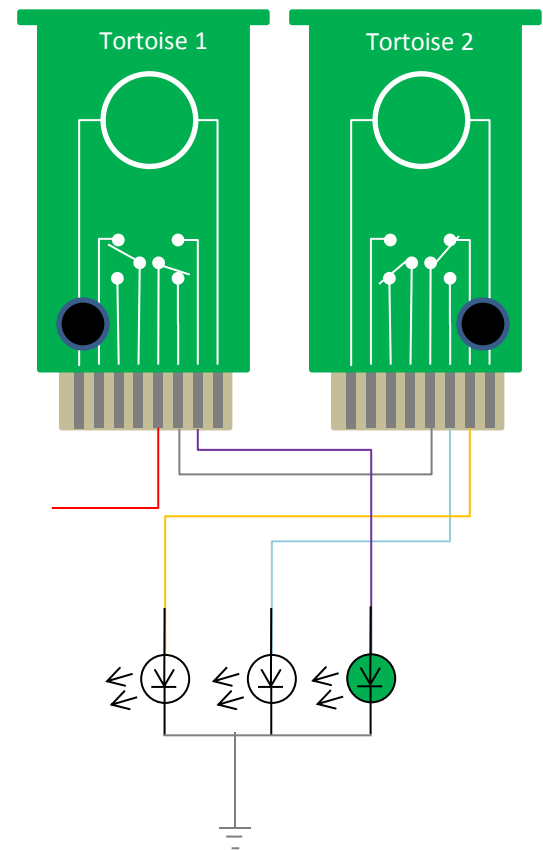
Throws of turnout are on same side

## Center Setting



Throws of turnout are on opposite side

## Right Setting



Throws of turnout are on same side

Note: Throw rods face each other on machines

